

BELKIN

Conserve Valet™
Smart USB Charging Station

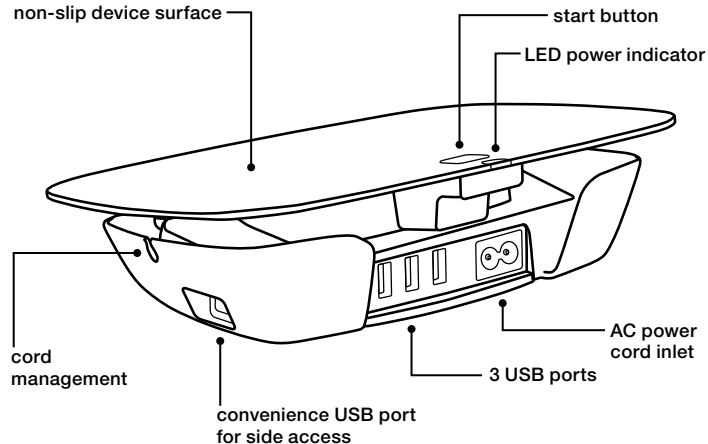
User Guide

A charger left plugged into the wall can still draw power—even when no device is attached. The Conserve Valet Smart USB Charging Station charges up to four devices at once and shuts off automatically. The product itself draws zero power when not in use—so you can keep your devices ready to go without wasting energy.

For more information and to learn about other Belkin Conserve energy management products, please go to belkin.com/consERVE

Package Contents

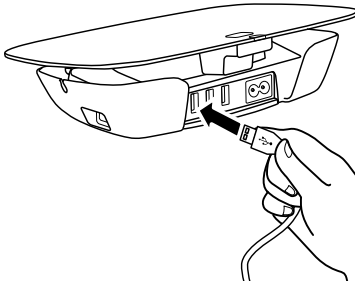
- Conserve Valet Smart USB Charging Station
- 1x (4.25-foot) AC Power Cord
- 1x (1-foot) USB to Mini-USB Cord
- 1x (1-foot) USB to Micro-USB Cord
- User Guide and Warranty Information



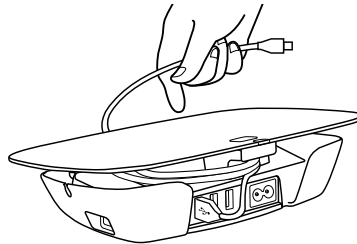
QUICK SETUP GUIDE

- 1 Plug in your USB device cords that you want to use with your Conserve Valet Smart USB Charging Station.

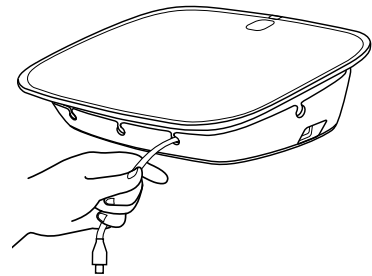
NOTE: We advise you to use the USB cable that came with your mobile device. If your device did not come with a USB cable, please refer to your manufacturer for availability. We have included a USB to Mini-USB Cable and a USB to Micro-USB Cable, which might work with your devices.



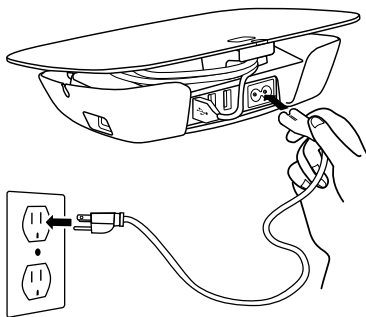
- 2 Wind your USB cords around the inner spool of your Conserve Valet to manage the cords. You can choose not to do this if you prefer.



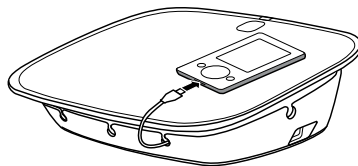
- 3 Secure your USB cords by clipping them into the appropriate eyelet located under the lower housing of your Conserve Valet.



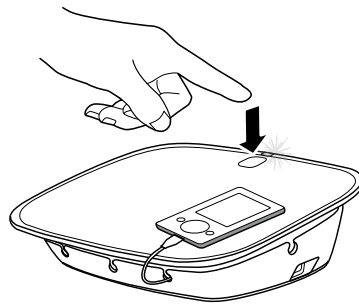
- 4** Plug the AC power cord into your Conserve Valet and plug the other end into a power outlet.



- 5** Connect your devices to their respective USB cords and place them on the Conserve Valet pad.



- 6** Press the light-green power button and the LED will illuminate; power is now flowing to your devices.



7 Once all connected devices are charged (approximately 4 hours), the LED light will flash 3 times and your Conserve Valet will power down.

If you connect an additional device during charging, the Valet will restart the charge time to ensure that the new device is fully charged before powering down. If you unplug all your devices, the Valet will automatically power down after 2 minutes.

NOTE: When sitting idle, the Conserve Valet uses no power.

DEVICES YOU CAN CHARGE WITH THE CONSERVE VALET

Most MP3 players, smart phones, digital cameras, and other portable devices that use a USB input to charge should work with the Conserve Valet.

Devices with large color screens, such as smart phones, often require a lot of power to charge. It is recommended you only charge two of these devices at the same time.

You will be able to charge most of your devices with the Conserve Valet (5-volt USB charge). You should use your device's included USB charge cord when connecting to the Conserve Valet. If your device did not come with a USB cord, check with the device's manufacturer for USB cord availability. The included Belkin USB cords are compatible with devices that have a Mini-B or Micro-B USB charge port.

PRODUCT FEATURES

- Zero power consumption when not in use
- Push-button start
- Auto-off function
 - Conserve Valet turns off when all devices are charged.
 - Conserve Valet will power down after two minutes if all the devices are disconnected.
- Auto-restart function
 - Conserve Valet senses when you plug in an additional device and restarts the charge time to ensure the added device receives a full charge.
- Non-slip finish on tray to prevent device slippage
- Cord management
 - Inner spool for cord storage and management
 - Cut-out clips located underneath tray to secure cord placement
- LED light to show Conserve Valet activity
- 4x USB output (3 located on rear side, 1 located on side for easy-access charging)
- 1x (1-foot) USB Type A to Mini-B cord included
- 1x (1-foot) USB Type A to Micro-B cord included
- Universal IEC C8 AC power inlet
- 1 x (4.25-foot) IEC C7 "figure 8" power cord included

TROUBLESHOOTING

My device does not charge when connected to the Conserve Valet.

Check that your Conserve Valet is securely plugged into a power outlet. Next you'll want to make sure that any device attached to your Conserve Valet is securely connected at both ends. Ensure that the start button has been depressed and that the Conserve Valet's LED is green. If your device does not begin to charge, disconnect the Conserve Valet and your device and reconnect them as described in the Quick Setup Guide.

NOTE: The Conserve Valet has been designed with in-line signal resistors to work with as many devices as possible. However, the Conserve Valet's configuration might not be compatible with your device if it does not charge when securely connected to the Conserve Valet. Check with a local or online retailer, or with your device manufacturer for a compatible USB data connector cord that has built-in signal resistors to enable the charging of your device.

After connecting devices to the Conserve Valet and during operation, the LED light goes out and my electronics appear not to be charging. Additionally, when I plug in my powered-down devices and press the start button, the LED turns on, and then turns off and stays off.

Check all the cables on the Conserve Valet and make sure they are connected securely. Each port on the Conserve Valet is rated to supply 500mA. However, some new devices require more current than 500mA. Devices with large color screens, such as smart phones, often require more than 500mA. The Conserve Valet has been designed with additional charging capacity to accommodate the majority of these types of devices. If your connected device still does not begin to charge, it is possible that the Conserve Valet has reached its maximum charging capacity. Try removing each attached device one by one, pressing the start button after each device is disconnected until the Conserve Valet turns on (LED will illuminate green). It is recommended you only charge two devices with large color screens at the same time.

I disconnected all my devices, but the Conserve Valet stays on.

The Conserve Valet will detect when all devices have been removed and will power down automatically after approximately two minutes.

NOTE: This product's USB outlets cannot be used as USB hubs and do not transmit data. The powered USB outlets on this unit are intended solely for charging devices that can be charged via USB interface.

Specifications

- Power Input: 100–240V~, 50/60Hz 0.5A
- Power Output: +5V/500mA x 4 USB 2.0 port

Safety Information

- **Important:** Use indoors in a dry location.

NOTE: This equipment has been tested and found to comply with the limits for a Class B digital device, pursuant to part 15 of the FCC Rules. These limits are designed to provide reasonable protection against harmful interference in a residential installation. This equipment generates, uses, and can radiate radio frequency energy and, if not installed and used in accordance with the instructions, may cause harmful interference to radio communications. However, there is no guarantee that interference will not occur in a particular installation. If this equipment does cause harmful interference to radio or television reception, which can be determined by turning the equipment off and on, the user is encouraged to try to correct the interference by one of the following measures:

- Reorient or relocate the receiving antenna.
- Increase the separation between the equipment and receiver.
- Connect the equipment into an outlet on a circuit different from that which the receiver is connected.
- Consult the dealer or an experienced radio/TV technician for help.

Belkin International, Inc., is not responsible for any interference caused by unauthorized modifications to this equipment. Such modifications could void the user's authority to operate this equipment.

Limited One (1) Year Warranty

What this warranty covers.

Belkin International, Inc., warrants to the original purchaser of this Belkin Conserve Valet, that the Conserve Valet shall be free of defects in design, assembly, material, or workmanship.

What the period of coverage is.

Belkin International, Inc., warrants the Belkin Conserve Valet for one (1) year from the original date of purchase.

What will we do to correct problems?

Conserve Valet Warranty. Belkin will repair or replace, at its option, any defective Conserve Valet free of charge (except for shipping charges for the Conserve Valet). Belkin reserves the right to discontinue any of its products without notice, and disclaims any limited warranty to repair or replace any such discontinued products. In the event that Belkin is unable to repair or replace the Conserve Valet (for example, because it has been discontinued), Belkin will offer either a refund or a credit toward the purchase of another product from Belkin.com in an amount equal to the purchase price of the Conserve Valet as evidenced on the original purchase receipt and as discounted by its natural use.

What is not covered by this warranty?

All above warranties are null and void if the Belkin Conserve Valet is not provided to Belkin International, Inc., for inspection upon Belkin's request at the sole expense of the purchaser, or if Belkin International, Inc., determines that the Belkin Conserve Valet has been improperly installed, altered in any way, or tampered with. The Belkin Conserve Valet Warranty does not protect against acts of God (including but not limited to flood, earthquake, war, and vandalism), theft, normal-use wear and tear, erosion, depletion, obsolescence, abuse, or alteration.

How to get service.

To get service for your Belkin Conserve Valet, you must take the following steps:

1. Contact Belkin International, Inc., at 12045 E. Waterfront Drive, Playa Vista, CA 90094, Attn: Customer Service, or call (800)-223-5546. Be prepared to provide the following information:
 - a. The part number of the Belkin Conserve Valet.
 - b. Where you purchased the Conserve Valet.
 - c. When you purchased the Conserve Valet.
 - d. Copy of original receipt.
2. Your Belkin Customer Service Representative will then instruct you on how to forward your receipt and Belkin Conserve Valet and how to proceed with your claim.

Belkin International, Inc., reserves the right to review the damaged Belkin Conserve Valet. All costs of shipping the Belkin Conserve Valet to Belkin International, Inc., for inspection shall be borne solely by the purchaser. If Belkin determines, in its sole discretion, that it is impractical to ship the damaged equipment to Belkin International, Inc., Belkin may designate, in its sole discretion, an equipment repair facility to inspect and estimate the cost to repair such equipment. The cost, if any, of shipping the equipment to and from such repair facility and of such estimate shall be borne solely by the purchaser. Damaged products must remain available for inspection until the claim is finalized. Whenever claims are settled, Belkin International, Inc., reserves the right to be subrogated under any existing insurance policies the purchaser may have.

How state law relates to the warranty.

This warranty contains the sole warranty of Belkin International, Inc., there are no other warranties, expressed or, except as required by law, implied, including the implied warranty or condition of quality, merchantability or fitness for a particular purpose, and such implied warranties, if any, are limited in duration to the term of this warranty. Some states do not allow limitations on how long an implied warranty lasts, so the above limitations may not apply to you.

In no event shall Belkin International, Inc., be liable for incidental, special, direct, indirect, consequential, or multiple damages such as, but not limited to, lost business or profits arising out of the sale or use of any Belkin Conserve Valet, even if advised of the possibility of such damages. This warranty gives you specific legal rights, and you may also have other rights, which may vary from state to state. Some states do not allow the exclusion or limitation of incidental, consequential, or other damages, so the above limitations may not apply to you.

BELKIN.

Company Information

Belkin Tech Support

U.S.

<http://www.belkin.com/support>

For more information and to learn about other Belkin Conserve energy management products, please go to belkin.com/conserve

8820-00453

F7C008



USE ENERGY WISELY

Using electricity or driving a car does have an effect on the environment, but by using energy wisely we can prevent waste and reduce carbon dioxide (CO₂) emissions.

CO₂ is a greenhouse gas that accumulates in the Earth's atmosphere, trapping heat from the sun and keeping the planet warm. CO₂ comes, in part, from the burning of fossil fuels, such as coal and gasoline, to generate electricity for use in our homes and to power our cars.

The amount of CO₂ in our atmosphere has increased over the past century, and the majority of scientists questioned in a recent international study agree that global temperatures have risen dramatically compared with levels from the 1800s, with human activity being a significant contributing factor. According to the International Energy Agency, a warmer Earth may lead to changes in rainfall patterns, a rise in sea level, and a wide range of impacts on plants, wildlife, and humans.

A good way to visualize CO₂ is to imagine that 1 pound of CO₂ would fill up 710 soda cans (12oz), or a box 2-feet high, 2-feet wide, and 2-feet deep.

Belkin Conserve products can help you do your part to use energy wisely.

Use Less, Save More, Feel Good.

Facts gathered from a study conducted by the University of Illinois, the International Energy Agency, and the U.S. Environmental Protection Agency.